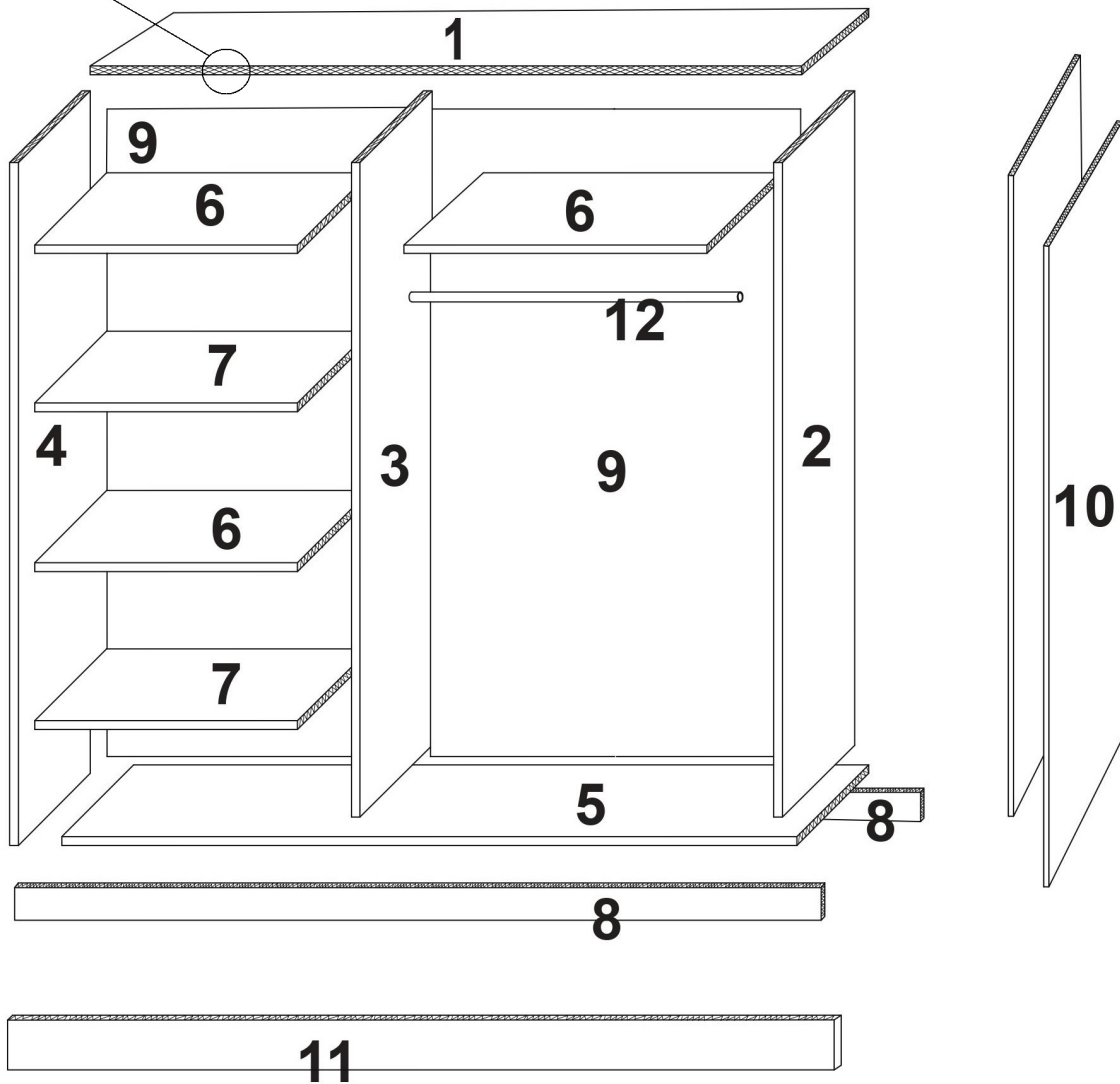
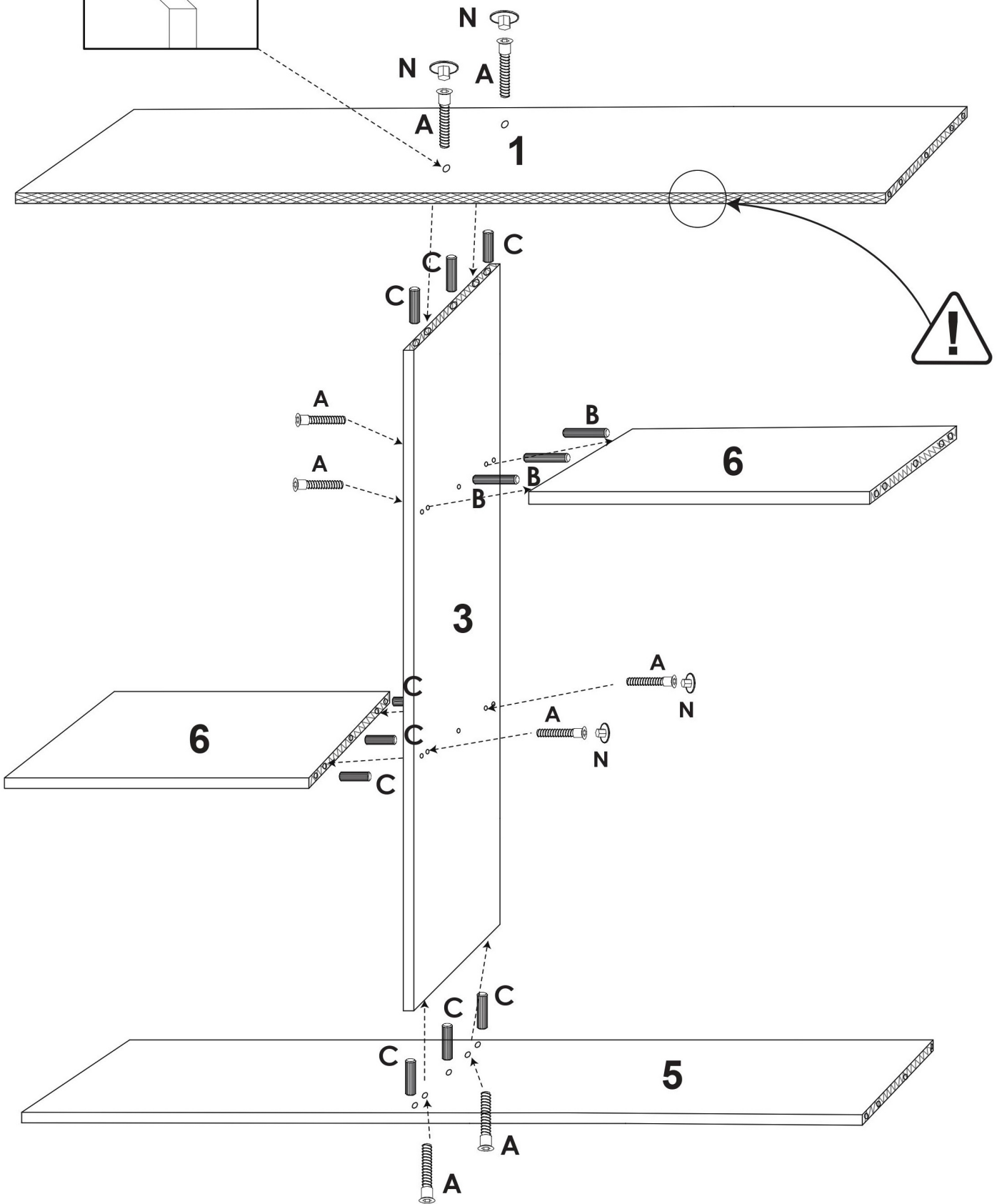
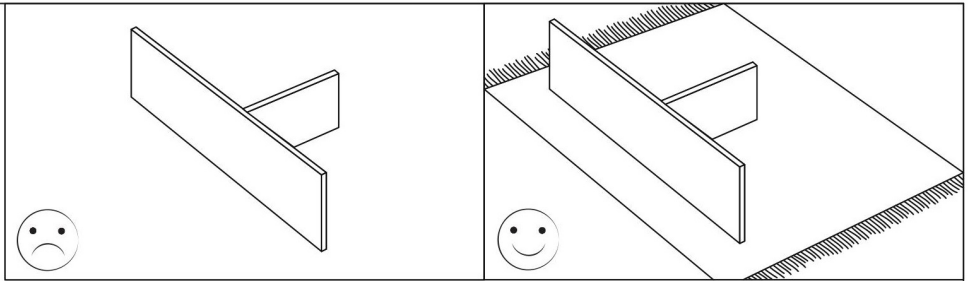
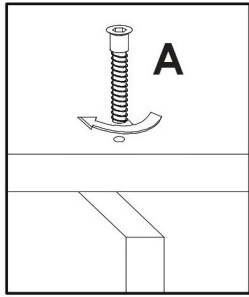
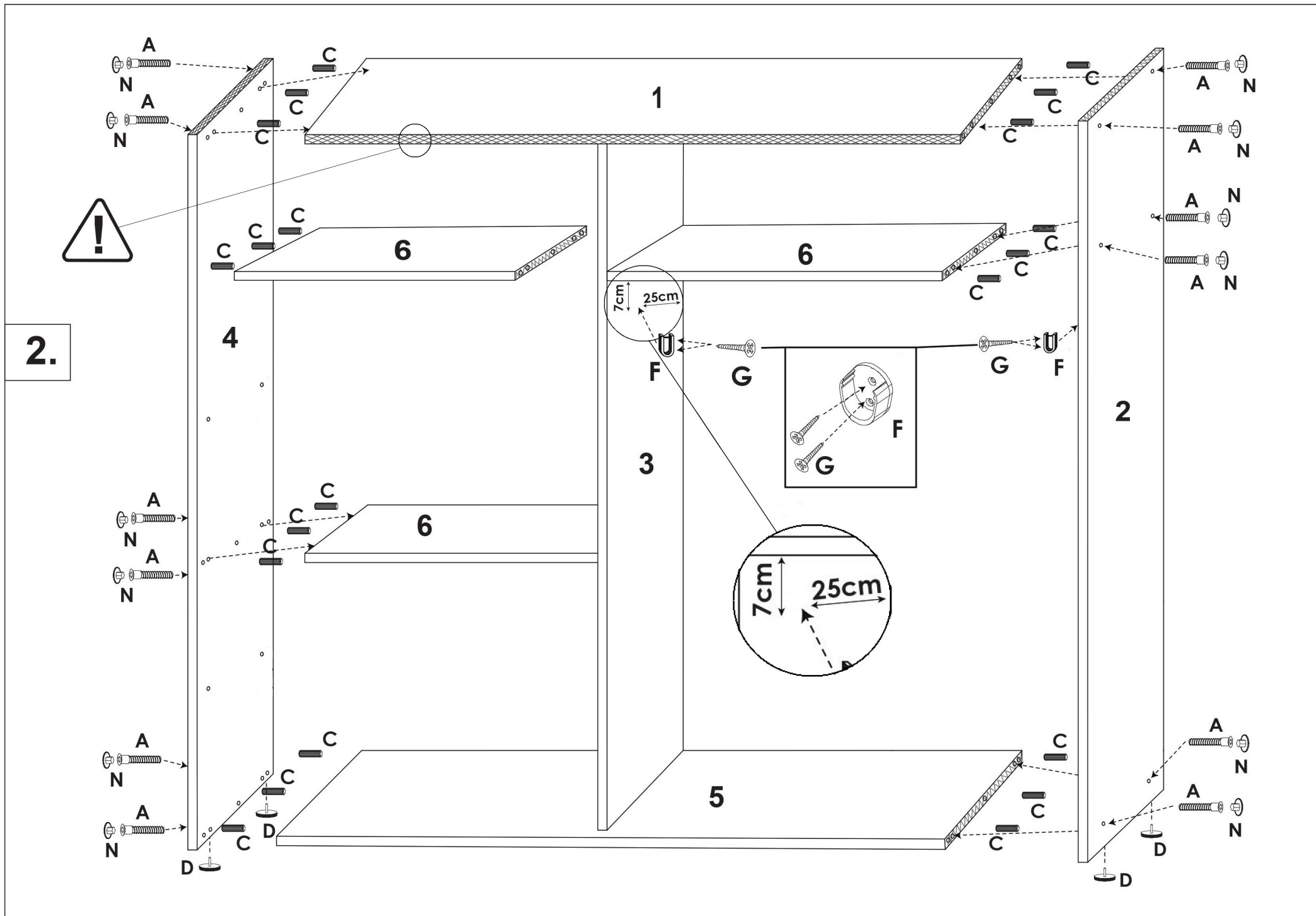


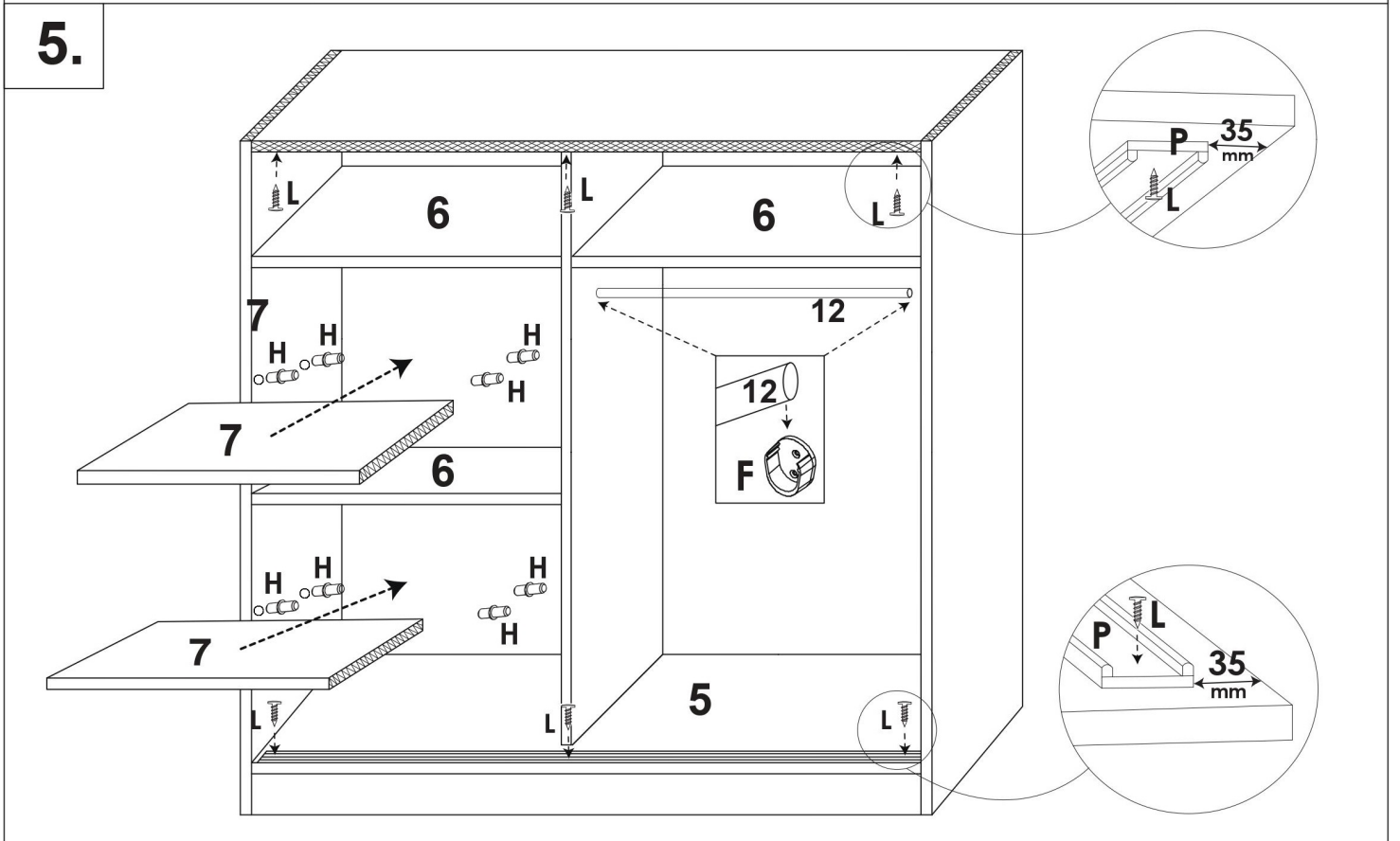
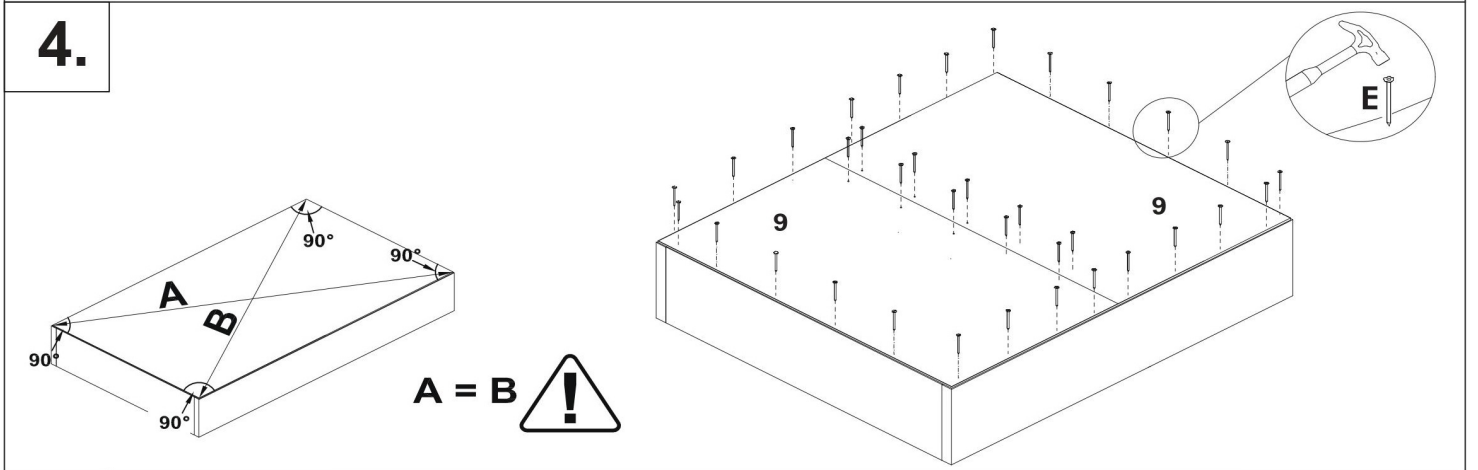
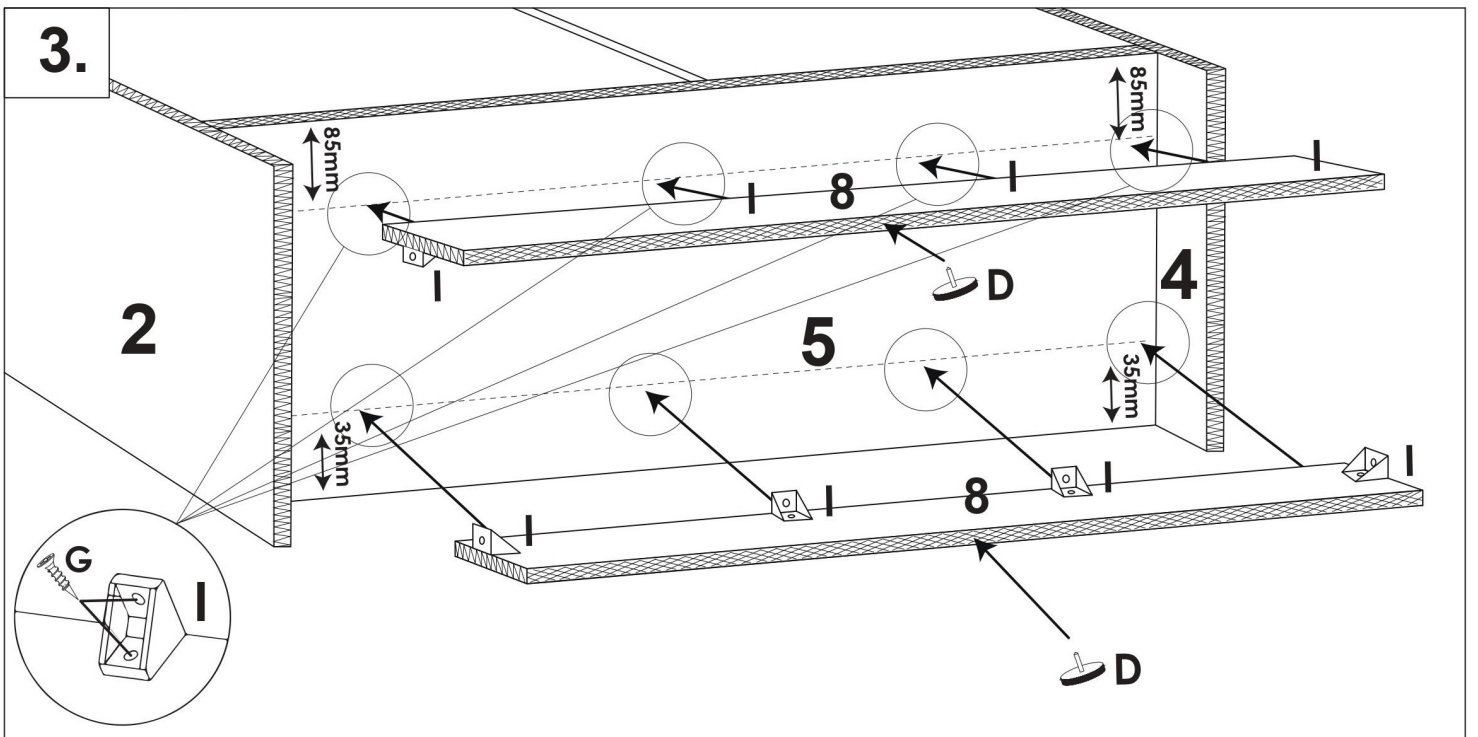
	A	B	C	D	E	F	G	H
	x20	x3	x30	x6	x100-110	x2	x56	x8
I	J	K	L	M	N	O		
x8	x4	x4	x6	x4	x16		x4	
P								
	x2							
100 - T/A								
	x1							



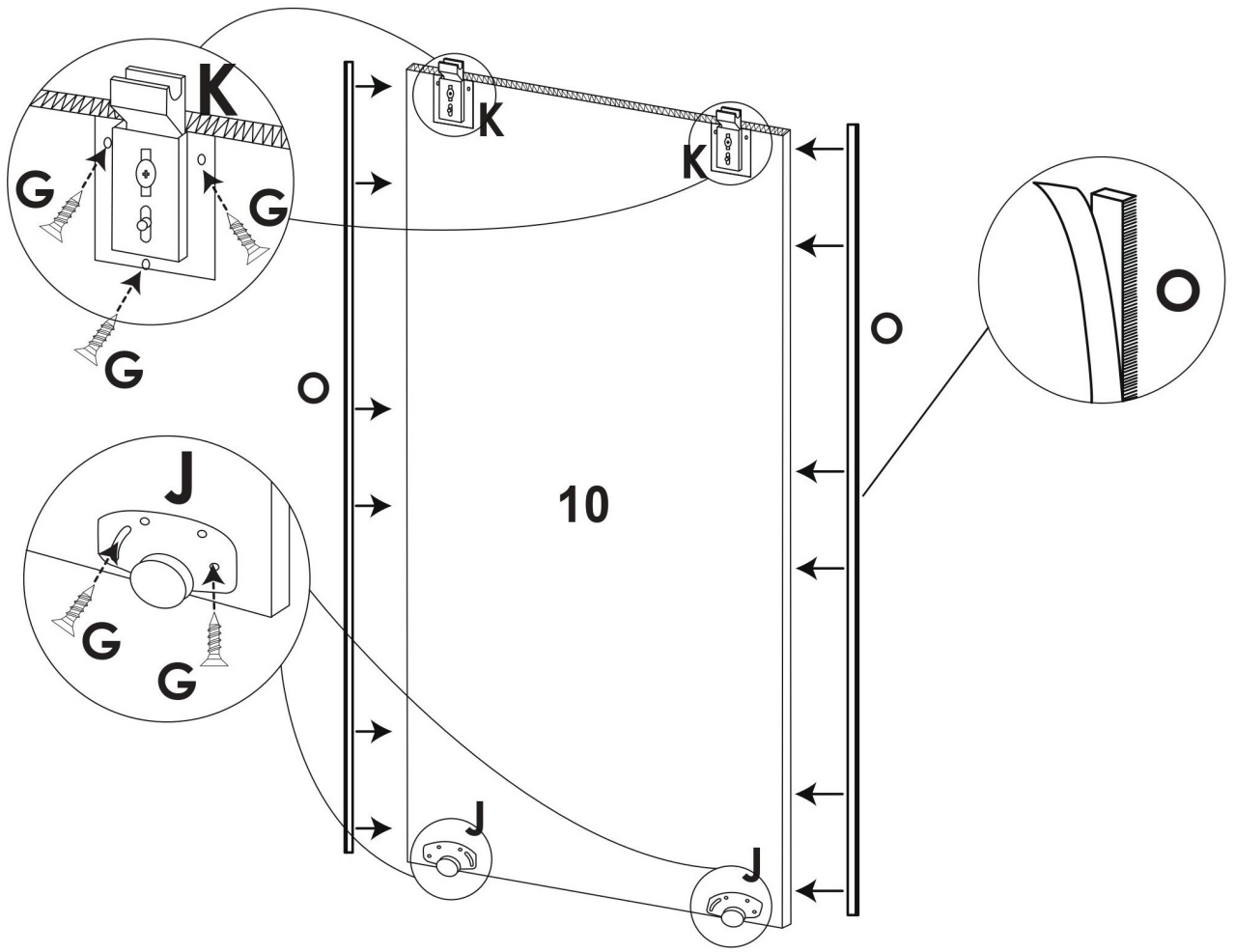
1.



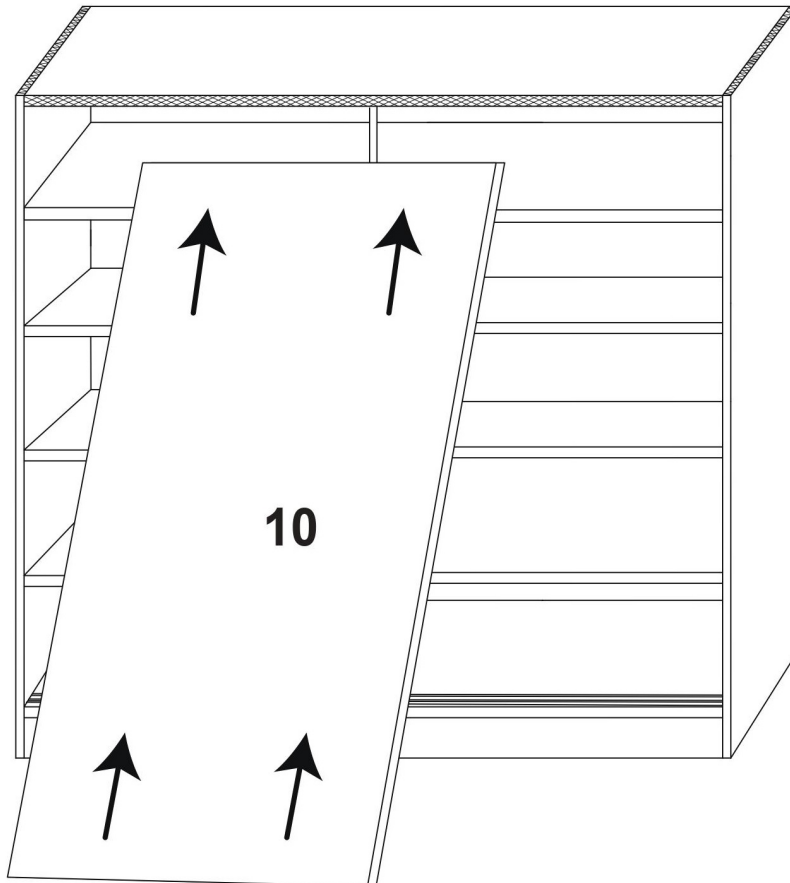




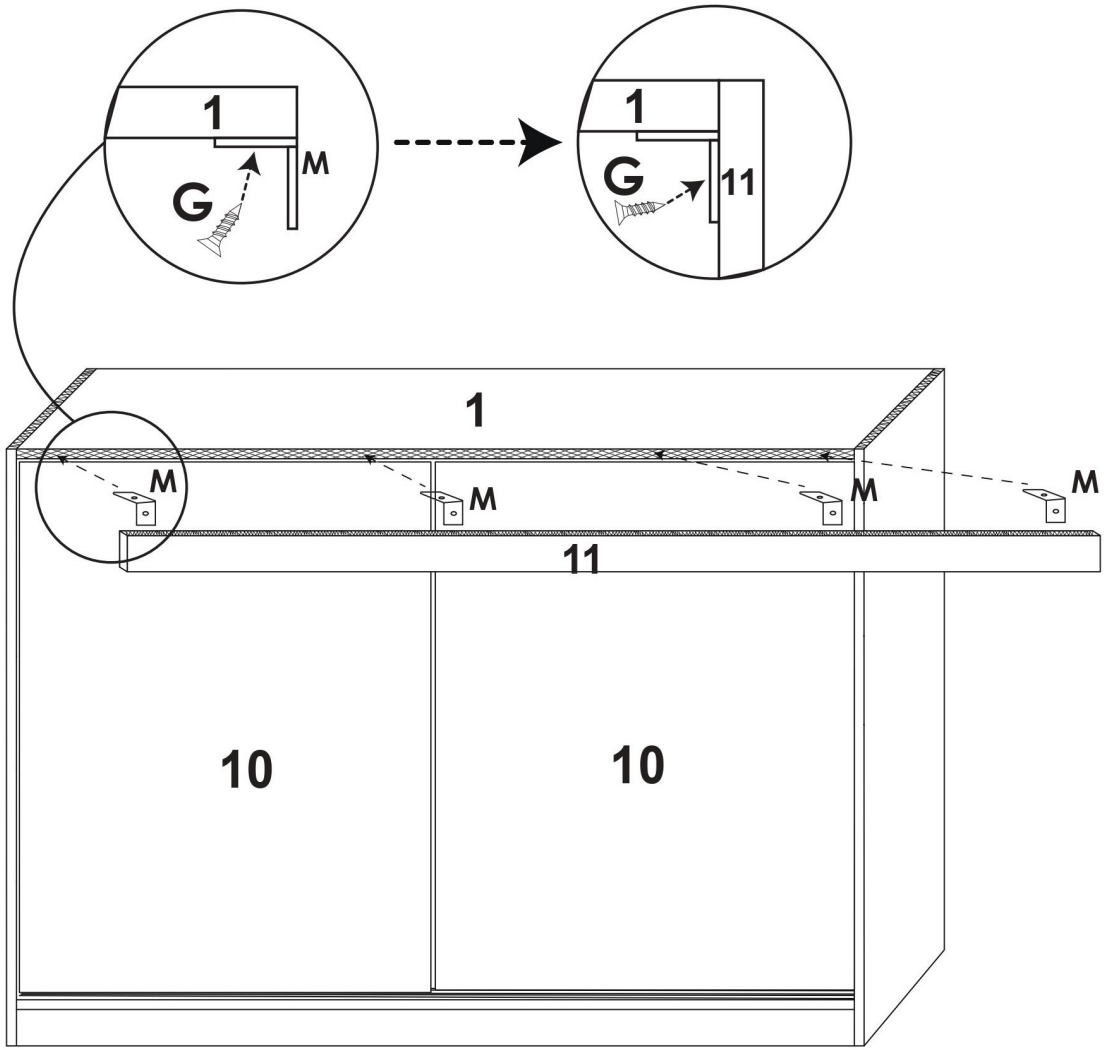
6.



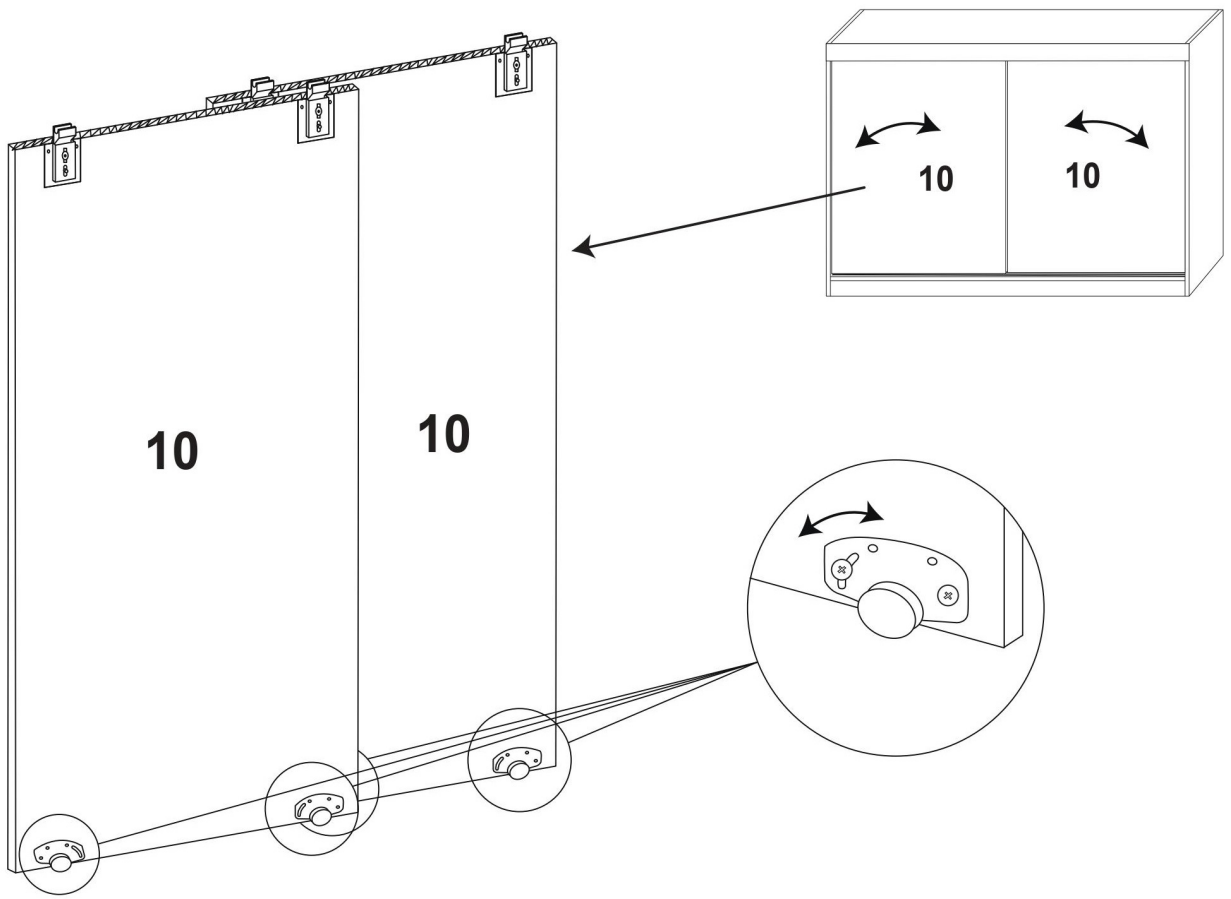
7.



8.



9.



10.

