
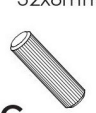




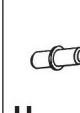
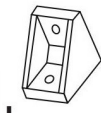

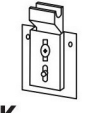

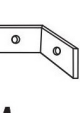


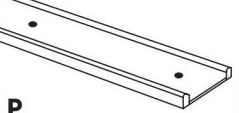
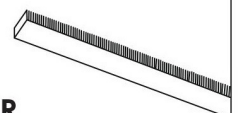
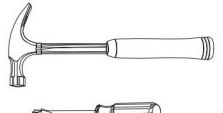
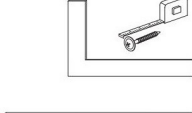
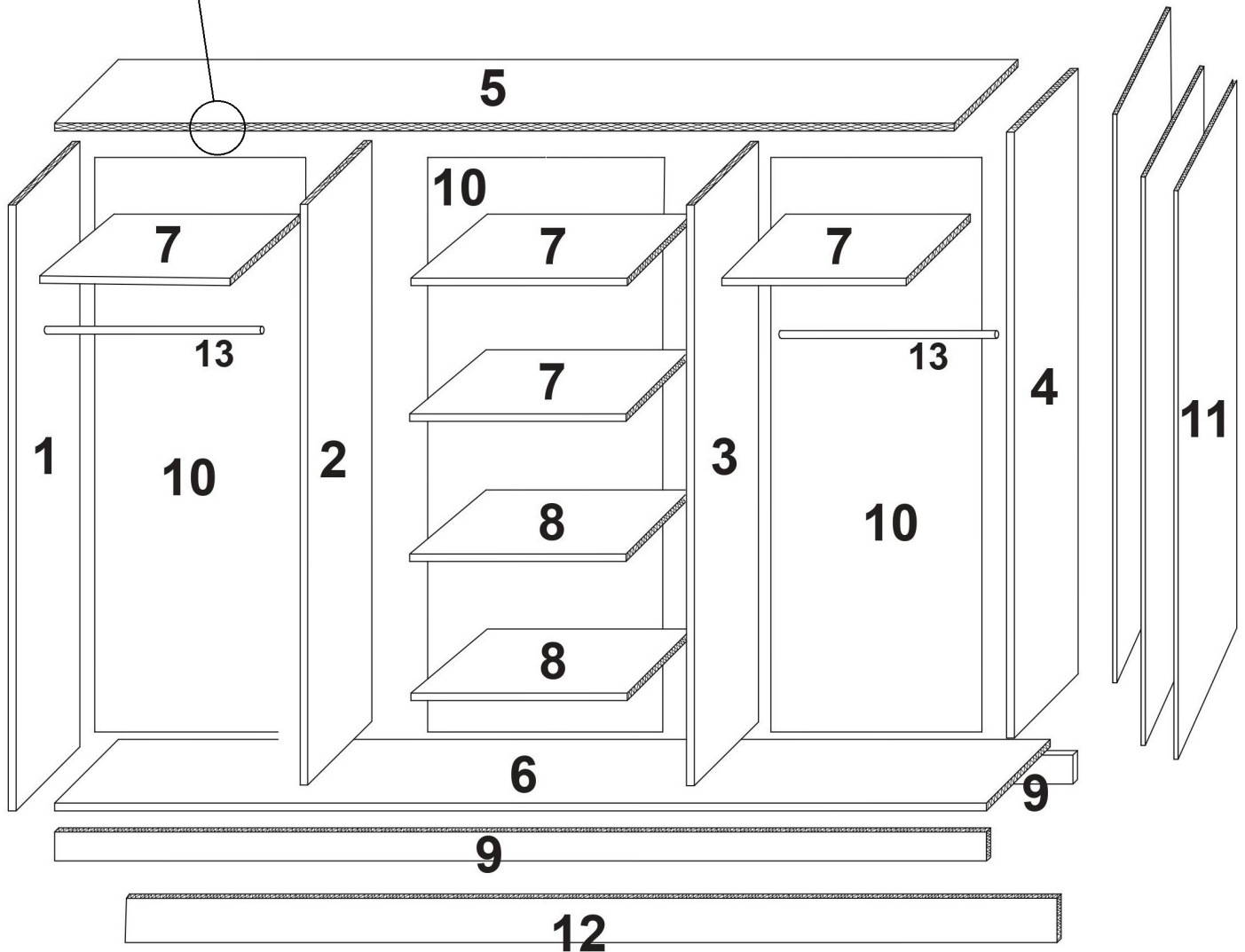
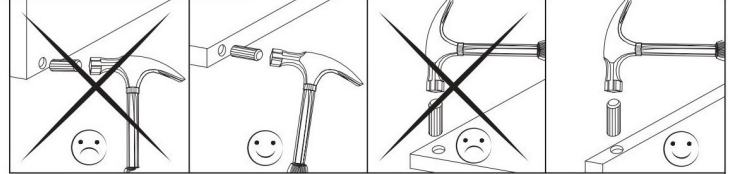
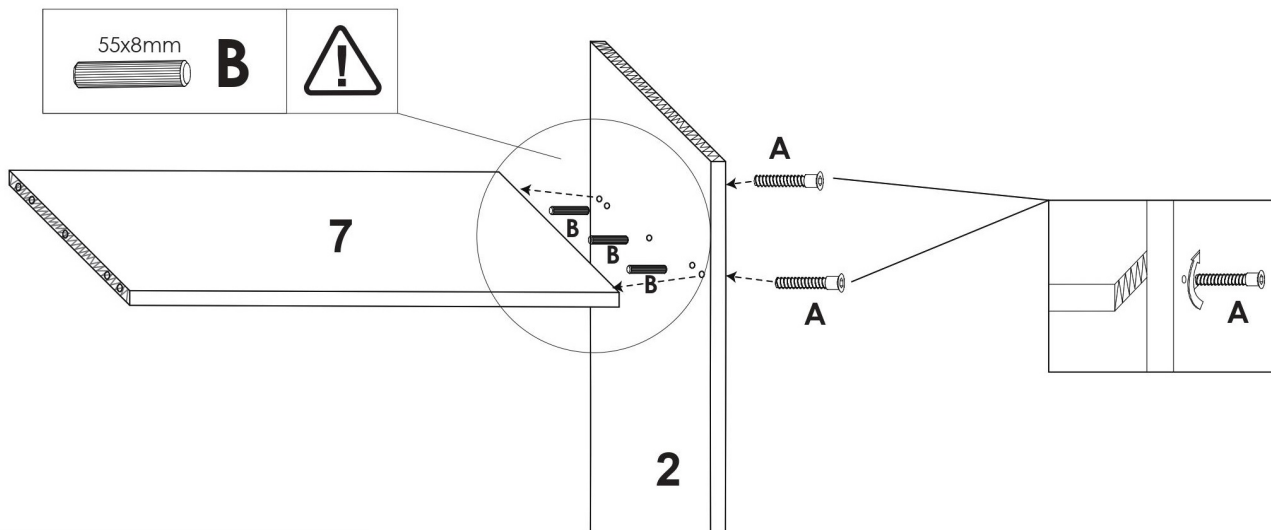
 A	 B 55x8mm	 C 32x8mm	 D	 E	 F	 G 4.0x13mm	 H
x28	x6	x36	x8	x130-150	x4	x78	x8
 I	 J	 K	 L 4.2x13mm	 M	 N		
x8	x6	x6	x12	x6	x20	x1	
 P		 R					
x2		x6					

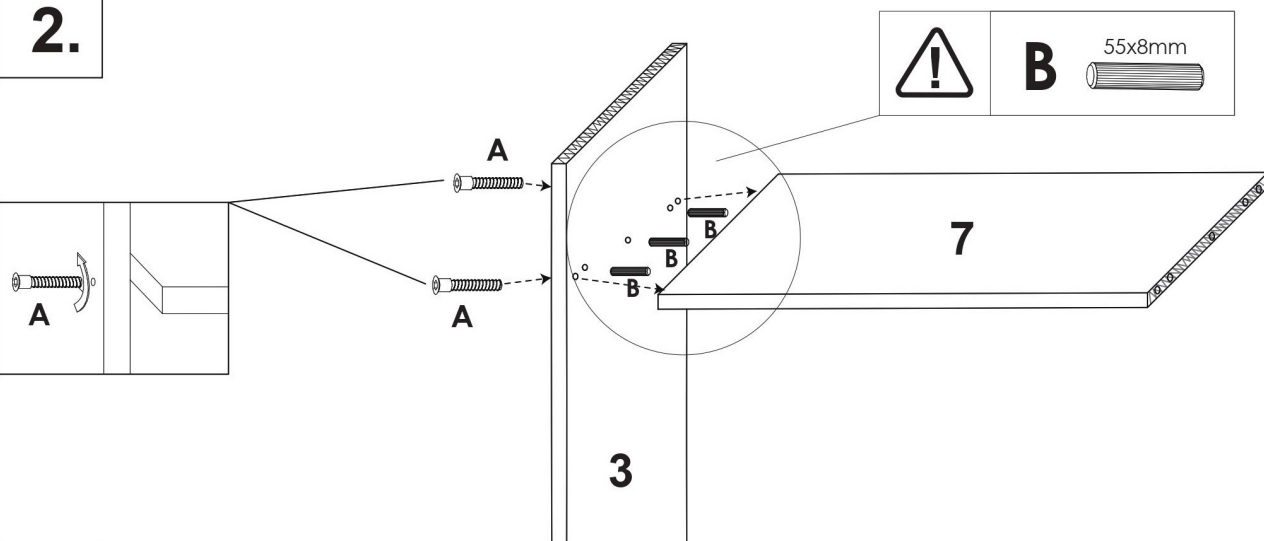
200 - B/M/R



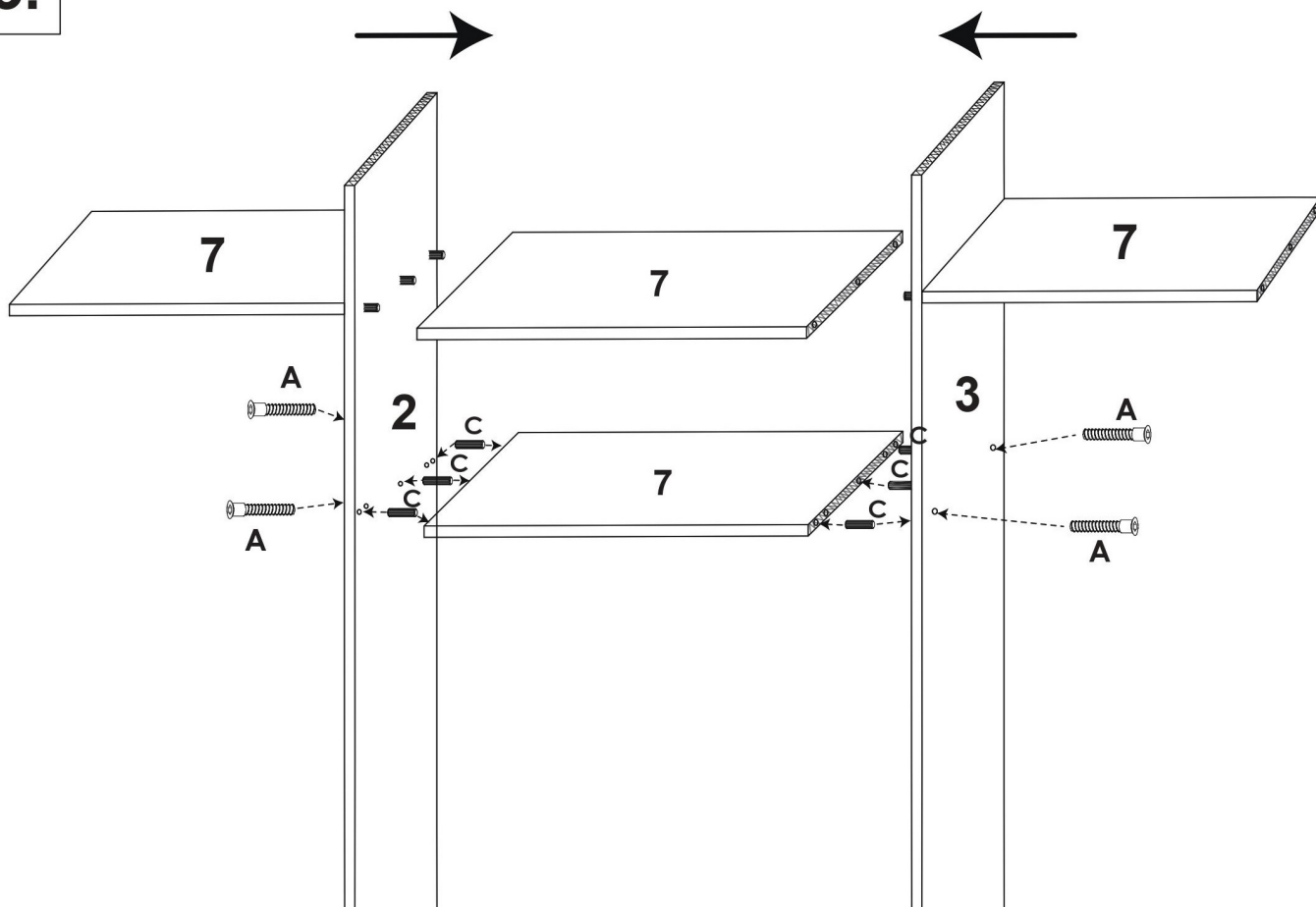
1.



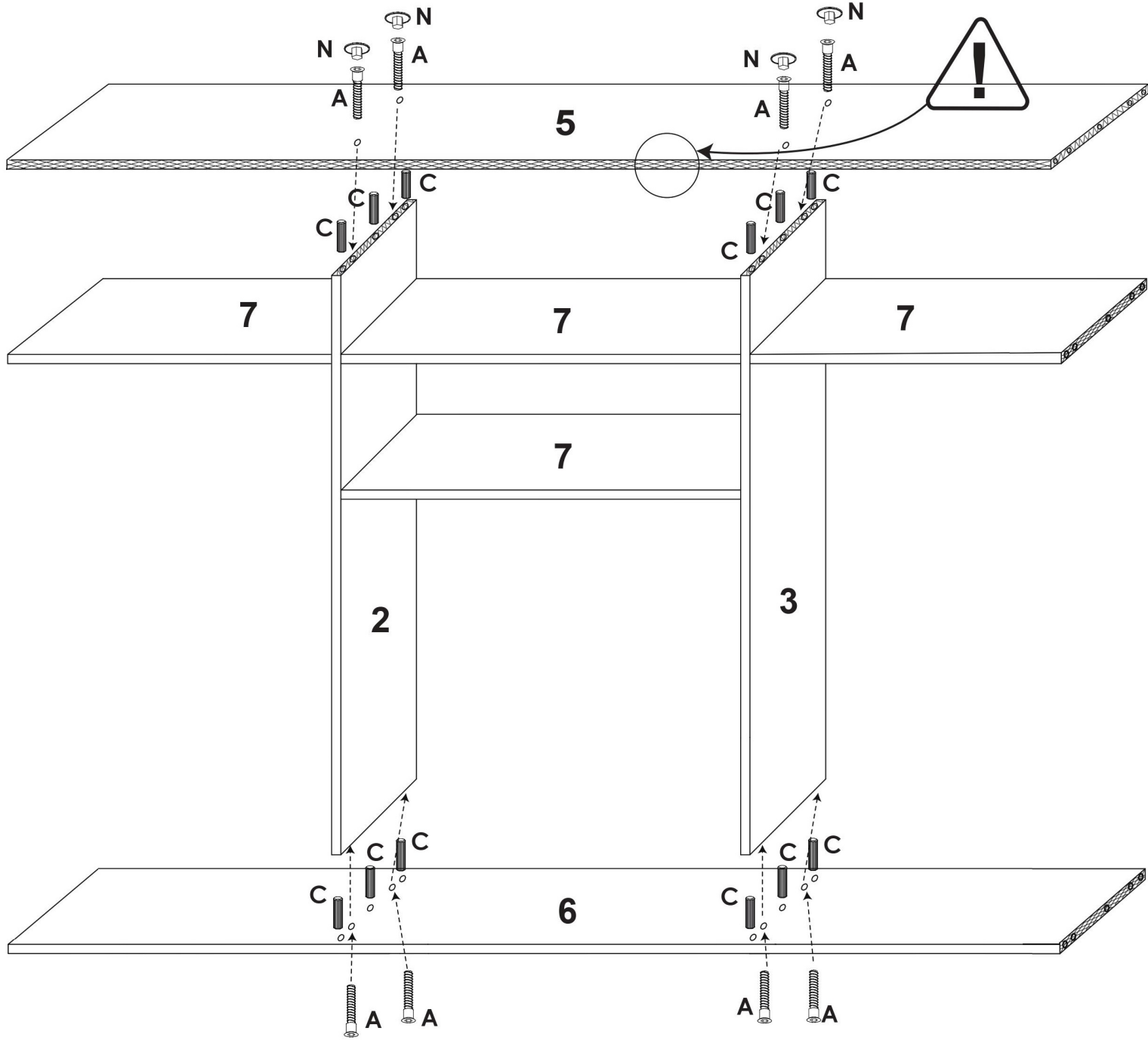
2.



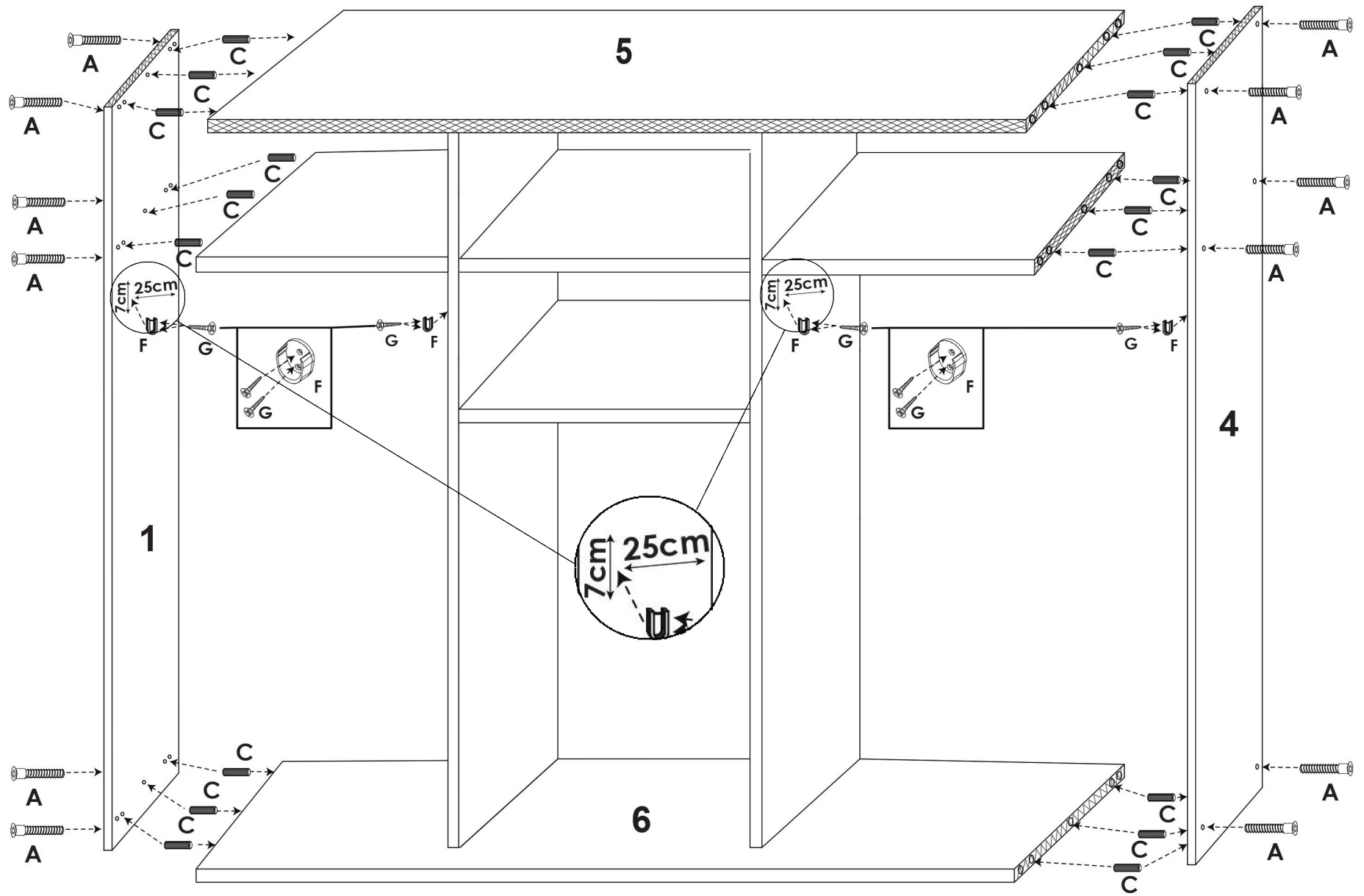
3.



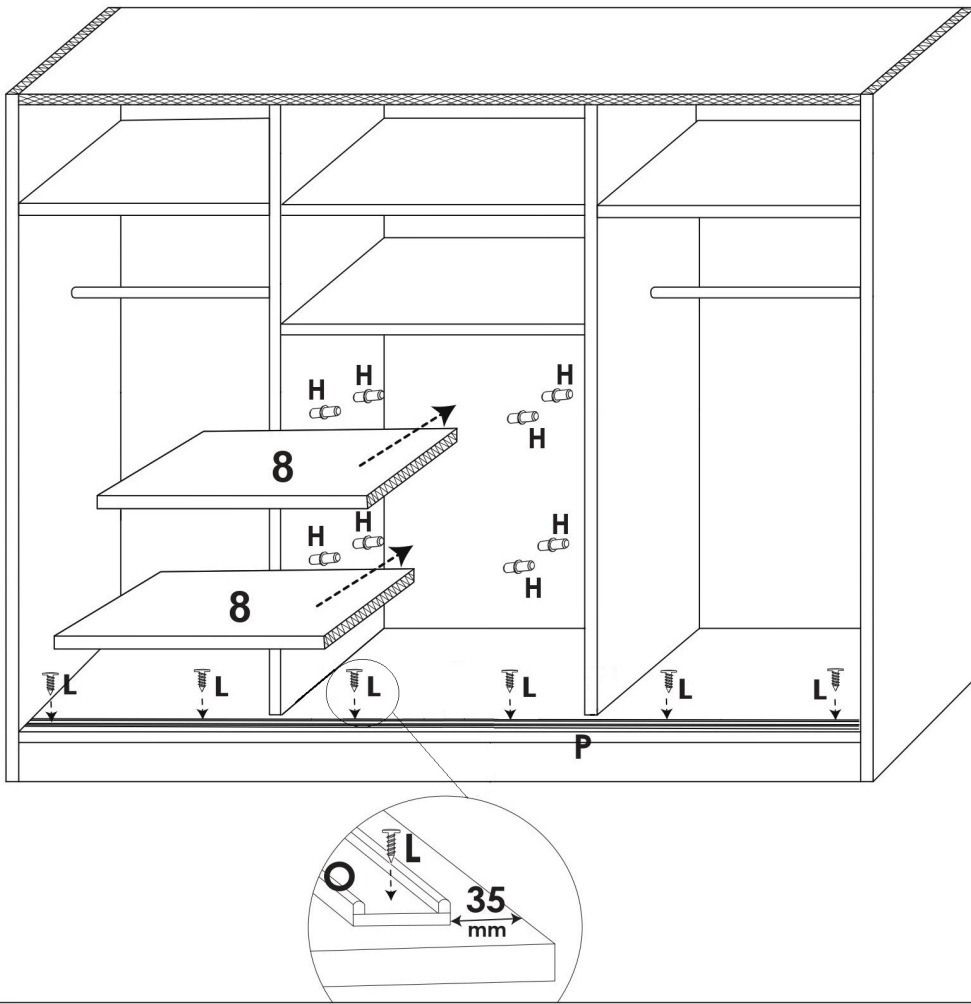
4.



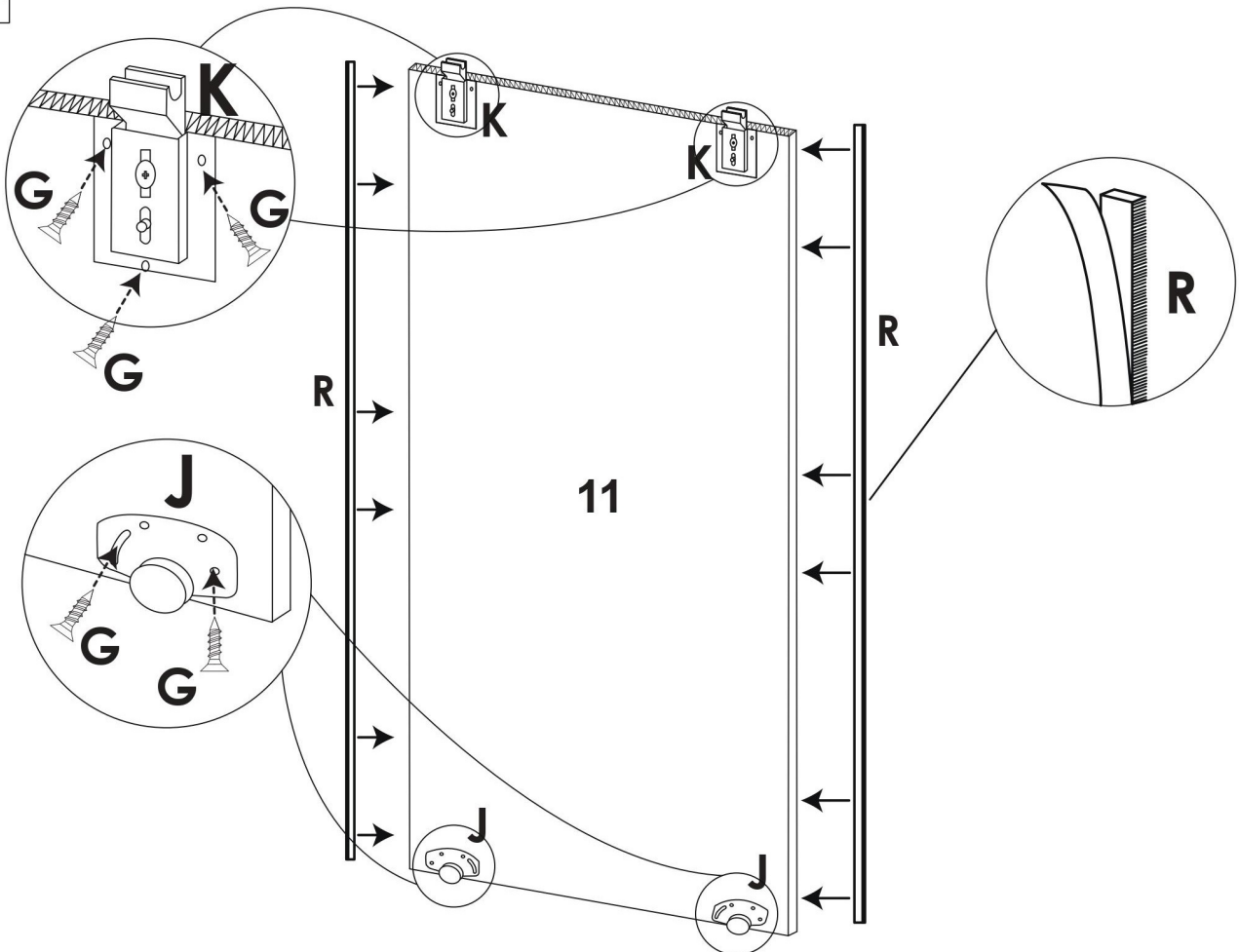
5.



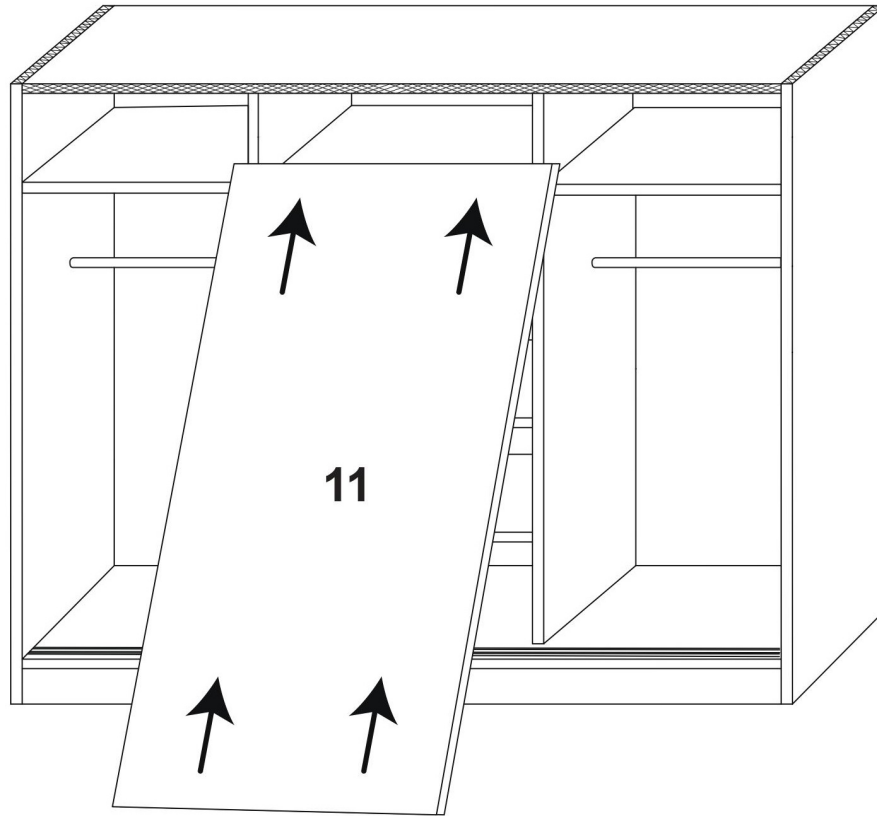
9.



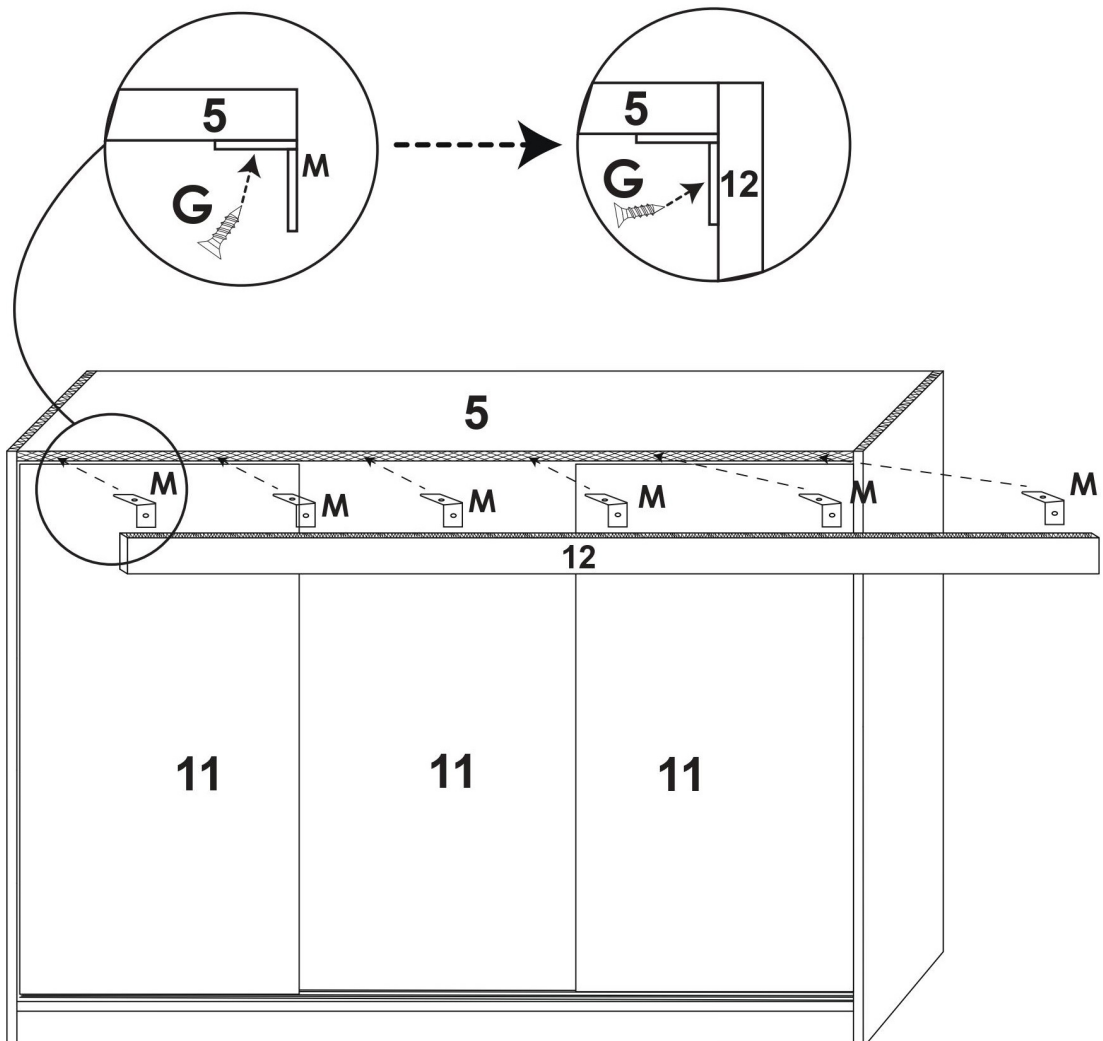
10.



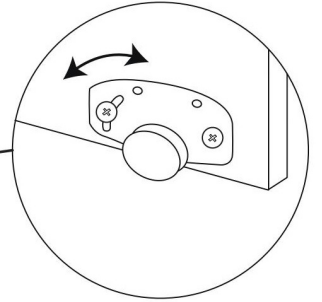
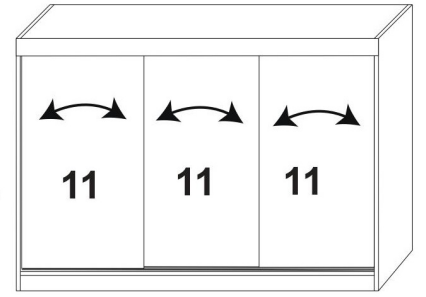
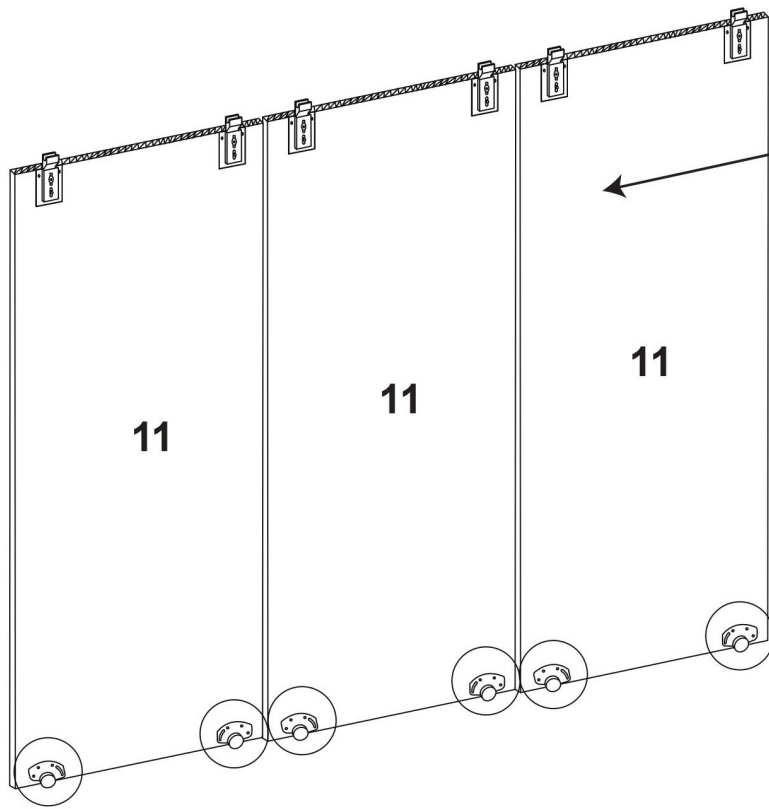
11.



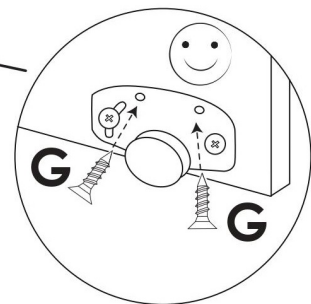
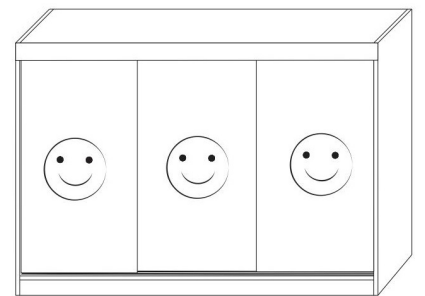
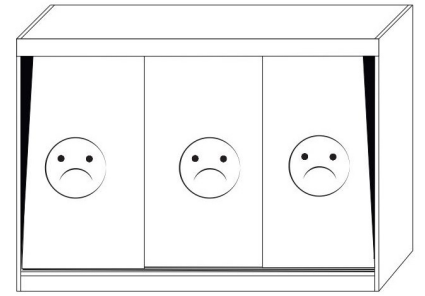
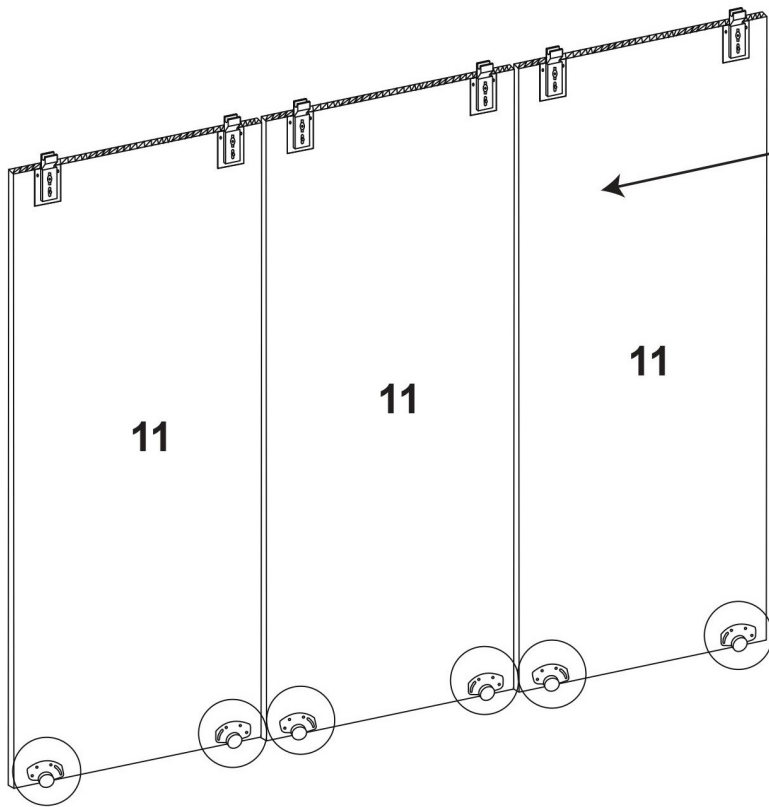
12.



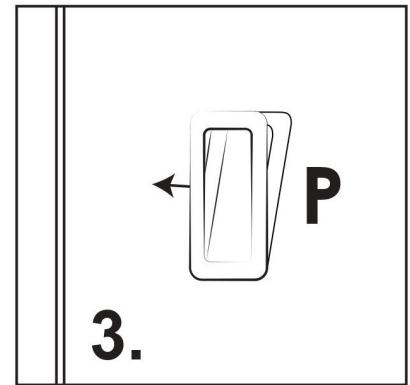
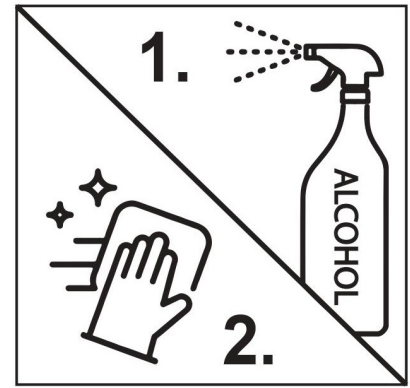
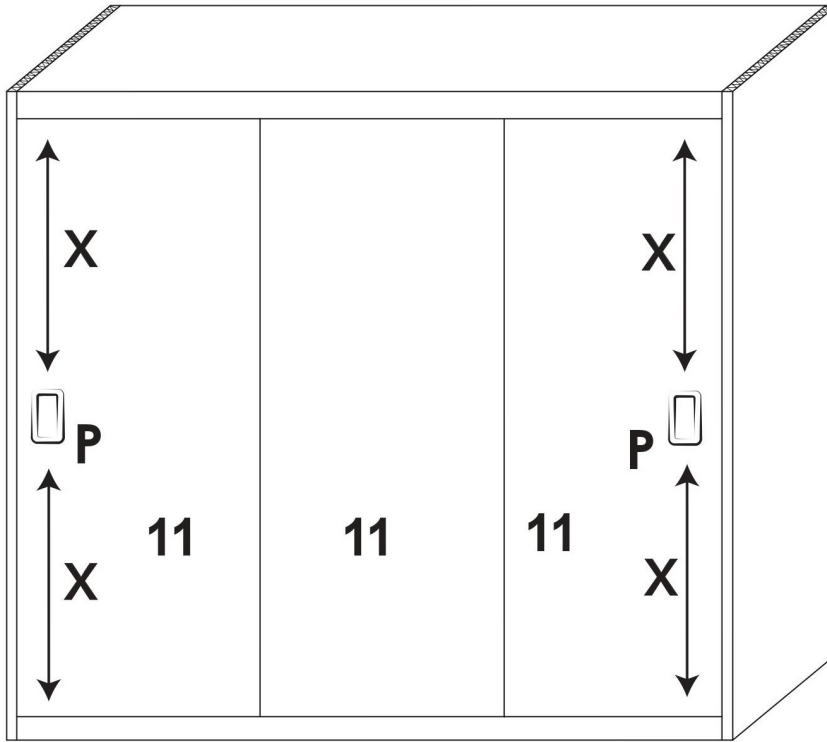
13.



14.



15.



16.

